

4

3

2

1

D

D

C

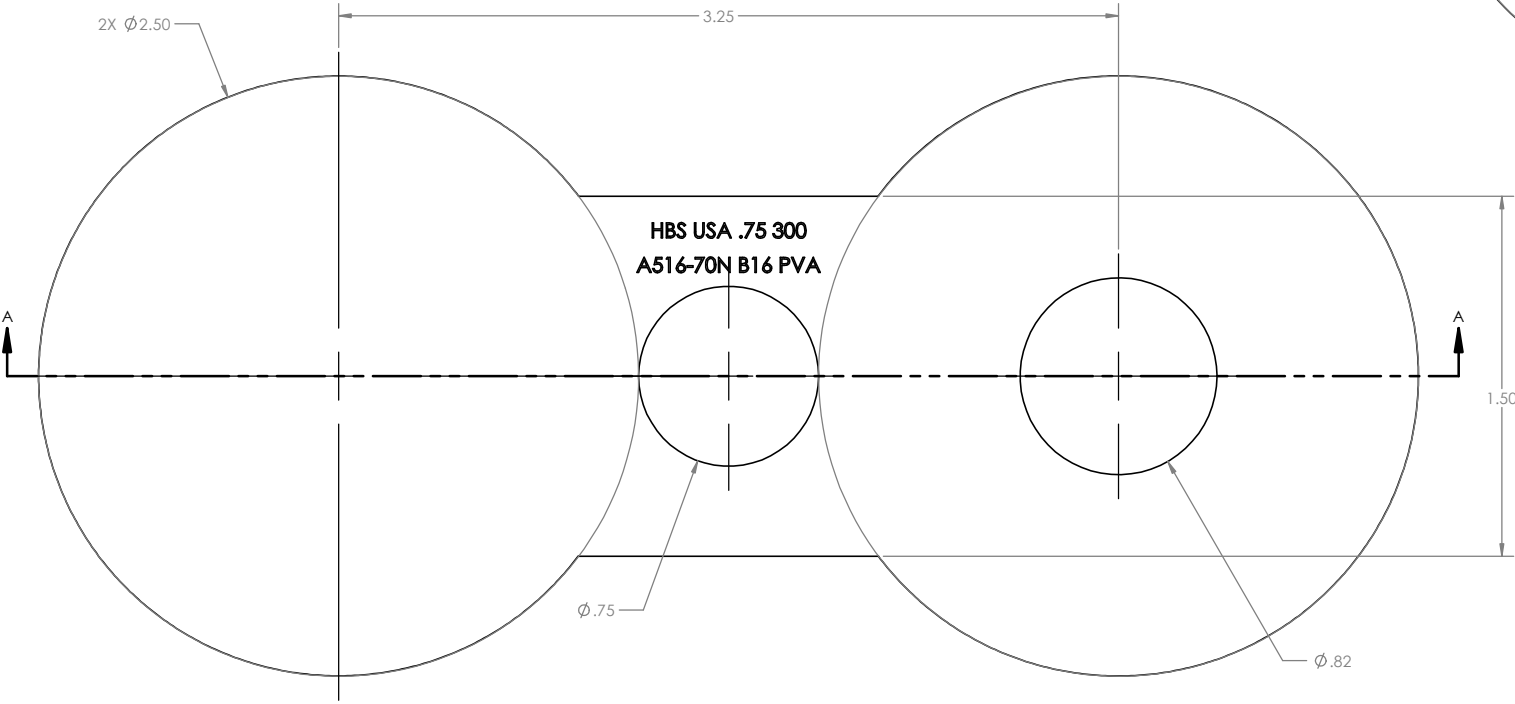
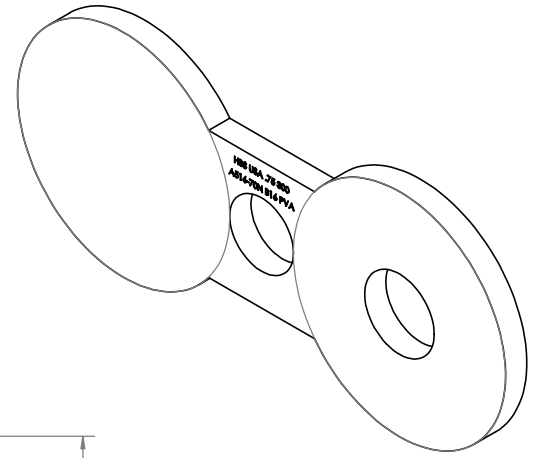
C

B

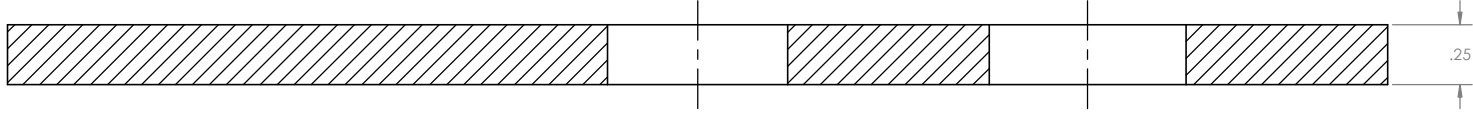
B

A

A



HBS USA .75 300
A516-70N B16 PVA



SECTION A-A

DO NOT SCALE PRINT		UNLESS OTHERWISE SPECIFIED: OUTSIDE DIAMETER: (+/-0.12) INSIDE DIAMETER: (+/-0.12) THICKNESS TOLERANCES (-ZERO +0.12) ALL UNITS IN INCHES OR POUNDS		
		SHEET 1 OF 1		
MATERIAL: CUSTOMER REQUESTED		DATE: 06/24/2020		DRAWING TITLE: 3/4 CL 300 FIGURE 8 BLIND
SCALE 2:0.8		DIMENSIONS & TOLERANCES TO BE IN ACCORDANCE WITH ASME B16.48		WEIGHT 1 lb
SIZE C		DRAWING NUMBER: 3SBF		REV 00

4

3

2

1